



Eclipse Summit on  
*Runtime Technologies and Platforms*

*Swordfish project introduction*



SWORDFISH

Oliver Wolf

San Francisco  
December 11, 2007



## In the past there were two major technical inhibitors for a coherent SOA platform

| Technical inhibitor                   | Description  |
|---------------------------------------|--|
| <p>1 Split of relevant standards</p>  | <ul style="list-style-type: none"><li>■ JBI and SCA were seen as competing standards</li><li>■ No platform implementing both was available</li></ul> |
| <p>2 Gaps in the component models</p> | <ul style="list-style-type: none"><li>■ Popular component models (e.g. JEE) were lacking important capabilities</li></ul>                            |



## The past component models show gaps for a coherent SOA platform

Past component model

Description of gaps

---

JEE

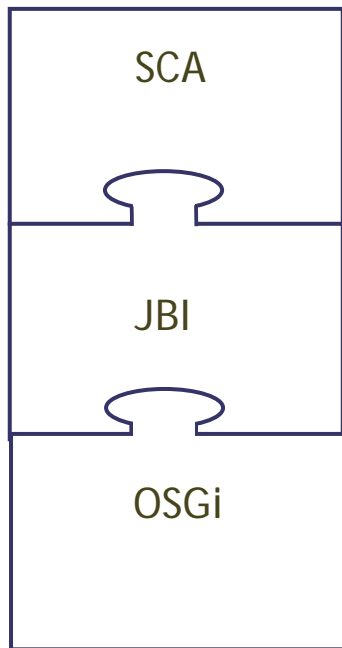
- Too heavy-weight and complex
- Static deployment descriptors

Spring

- No dynamic deployment or reconfiguration
  - No support for true modularization
-

# A major open source initiative is needed to overcome the two major inhibitors

SOA Runtime platform

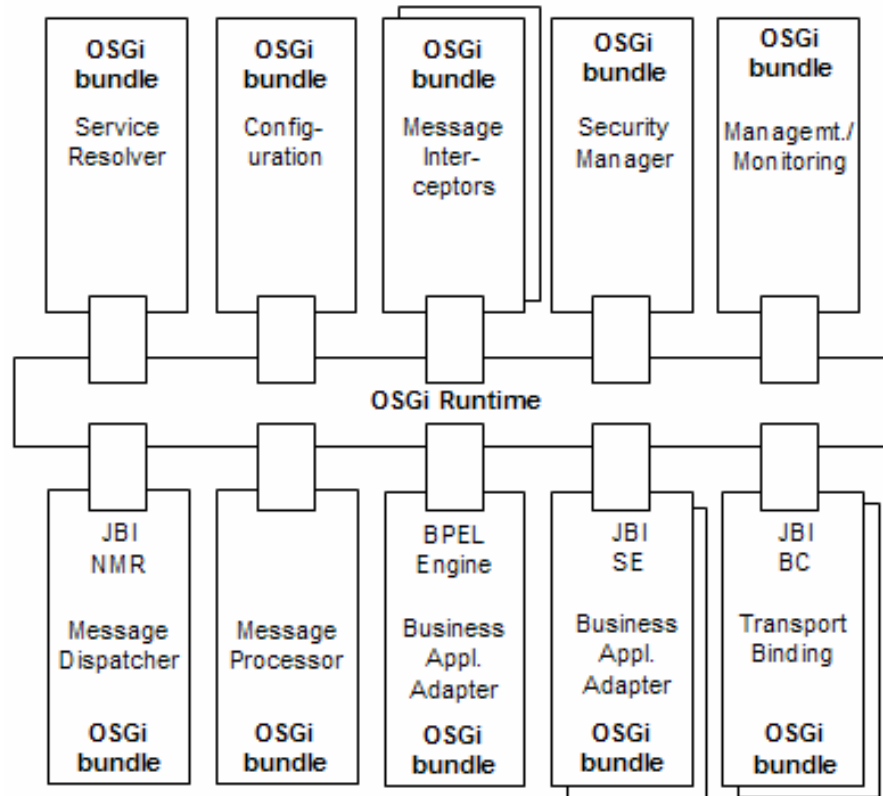


Role of the technology

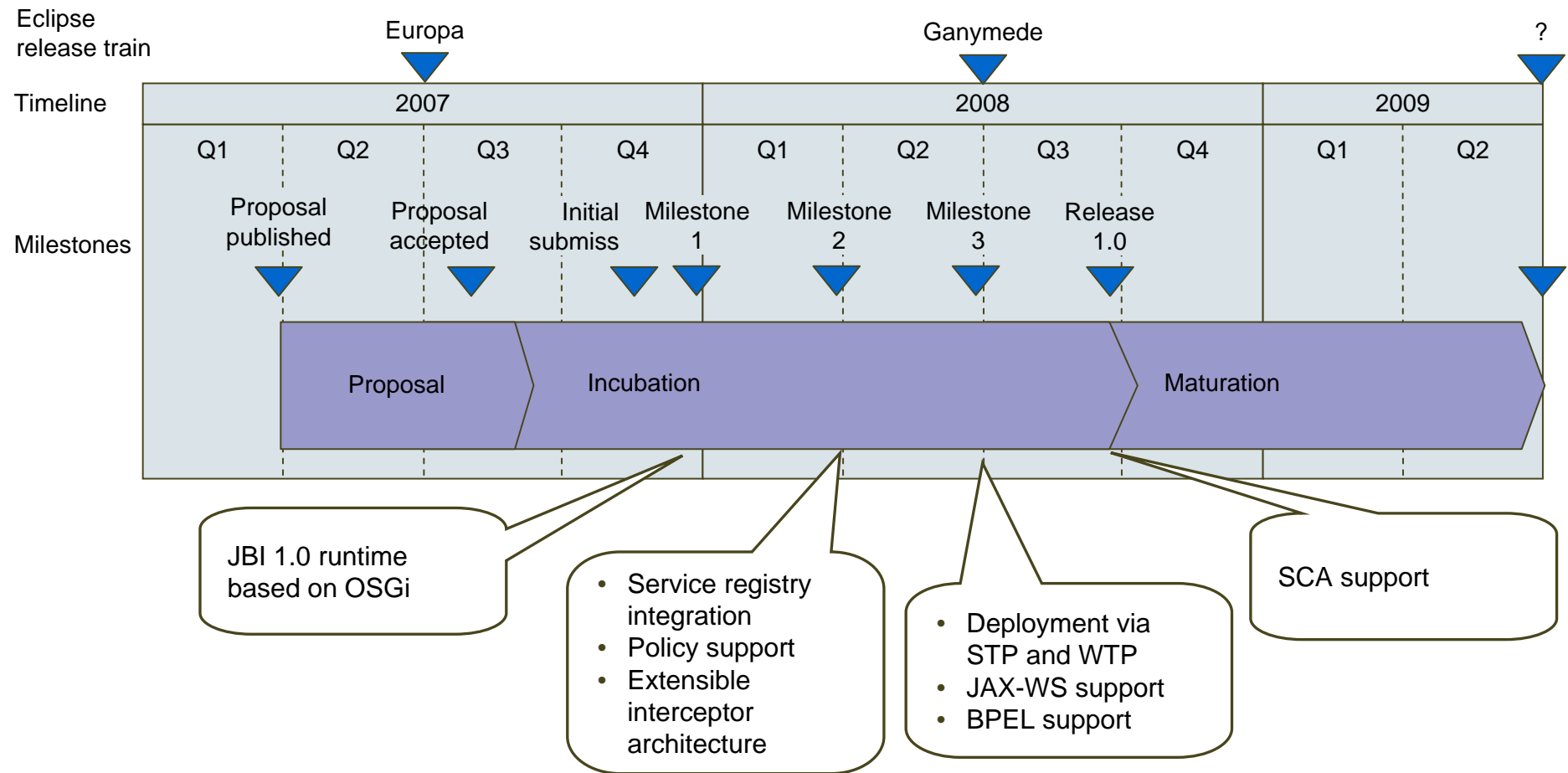
- common programming model
- common assembly description format
- common messaging model
- common deployment model
- common runtime component model

- Who drives this initiative?
- Who hosts this initiative?

# The Swordfish architecture implements SCA and JBI using OSGi

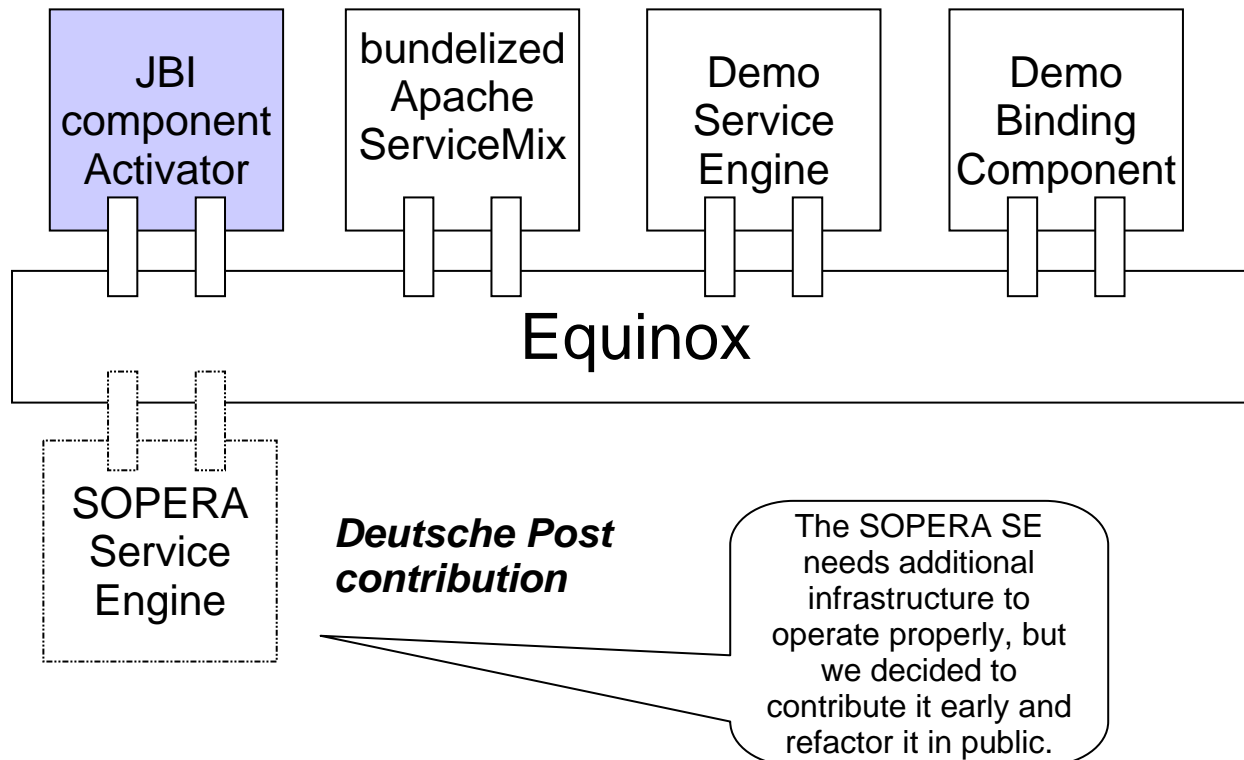


# The Swordfish project roadmap



# Milestone 1: JBI environment based on Equinox

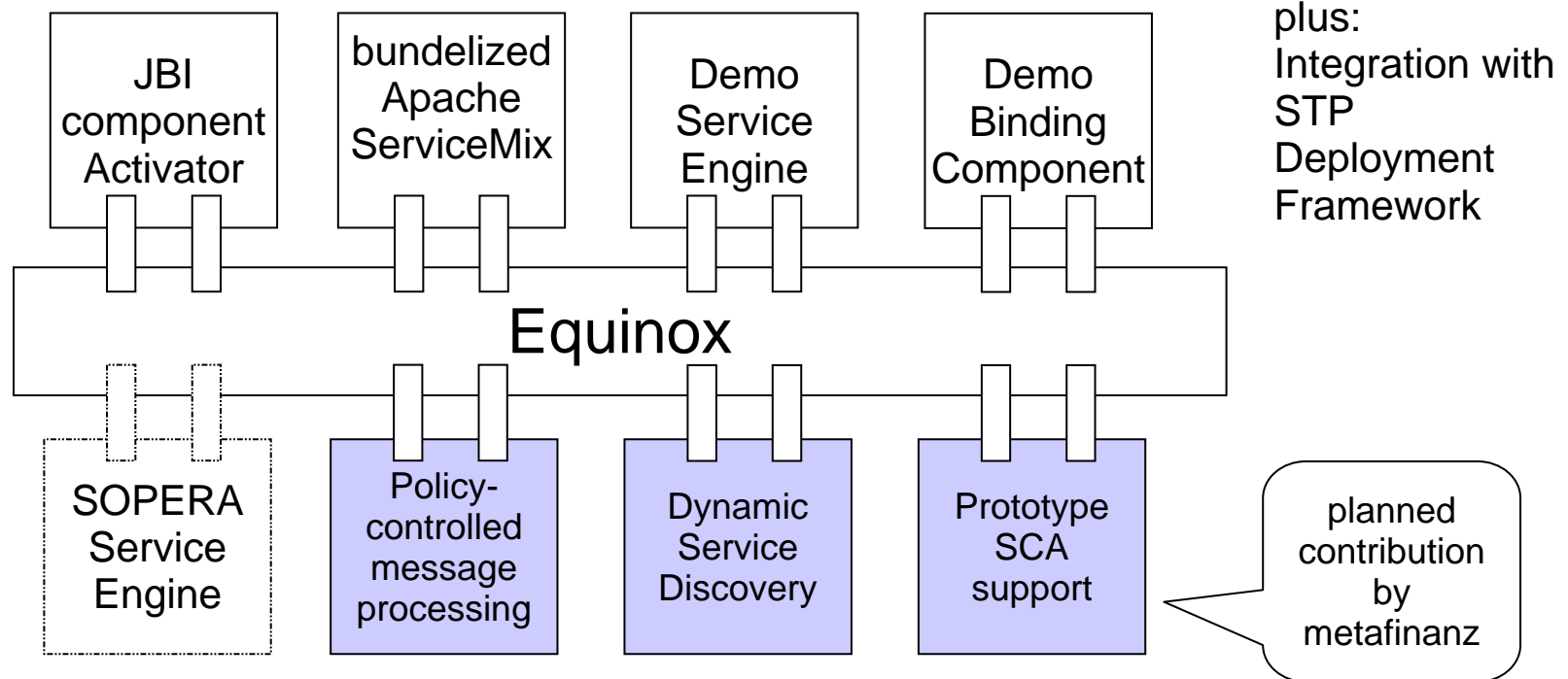
**Goal: Any JBI-compliant Service Engine or Binding component can be deployed into Swordfish as an OSGi bundle**





# Milestone 2: Phase 1 of SOPERA SE refactoring

**Goal: The most valuable parts of the SOPERA service engine's functionality have been refactored into an extensible framework**

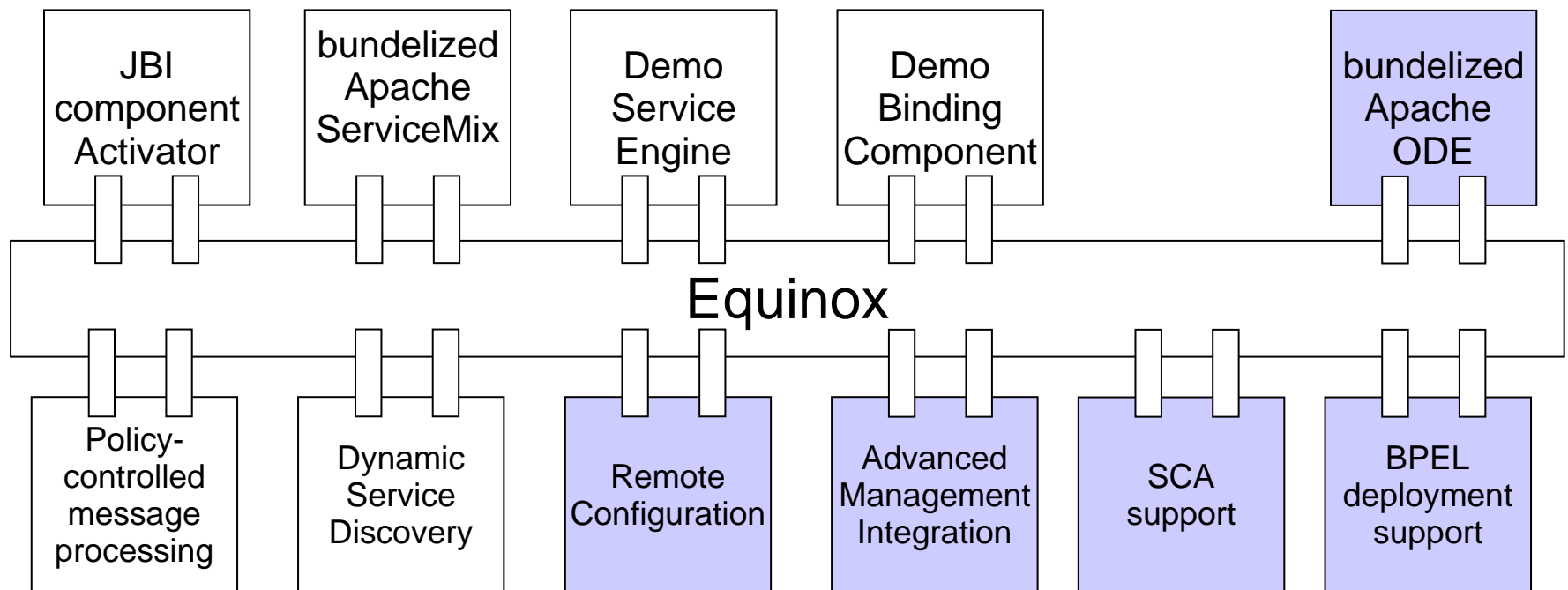






# Milestone 3: Phase 2 of SOPERAs SE refactoring

**Goal: The full functionality of SOPERAs service engine's has been refactored**



# The Swordfish user community within Eclipse



Projects that benefit from Swordfish

Tooling projects that will deploy artifacts to Swordfish

Projects that produce artifacts Swordfish intends to leverage

